

114 pumphead

114 series

Watson-Marlow Pumps Group

FEATURES

- Small size, compact and robust design
- Trouble-free continuous tube loading in seconds
- Reliable performance without any operator adjustments
- Automatic tube stretch for high accuracy and repetitive flow
- Safe and closed with visible rotor movement
- Spring-loaded operation for good pressure control
- No maintenance - low friction materials and ball bearings
- Four roller pumphead, low pulsation
- Up to 340ml/min continuous flow
- Up to 510ml/min intermittent flow
- Universal drive connection for drive shafts from Ø6 to Ø10mm



Watson-Marlow... Innovation in Full Flow

PERFORMANCE

Flow rates (ml/min) Tubing 1.6mm wall

Tube bore (mm)	Speed (rpm)			
	(ml/rev)	100	400	600 (intermittent)
0.5	0.02	2.2	9.1	13.5
0.8	0.04	4.3	17	26
1.6	0.14	14	56	84
2.4	0.29	29	115	175
3.2	0.47	47.5	190	285
4.0	0.67	67	270	405
4.8	0.85	85	340	510

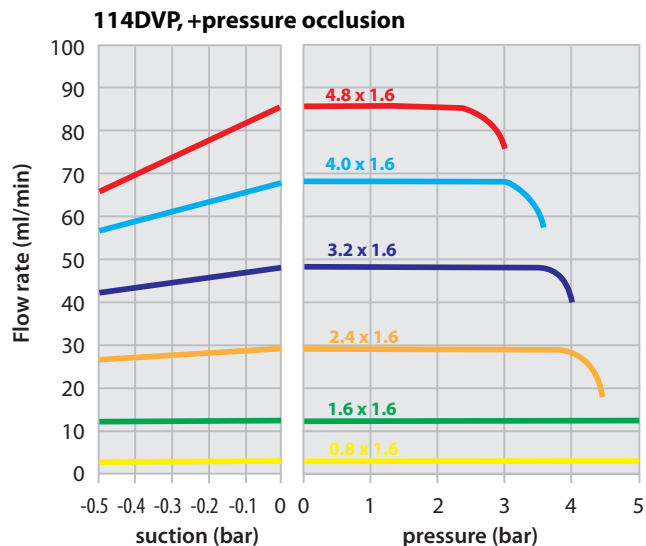
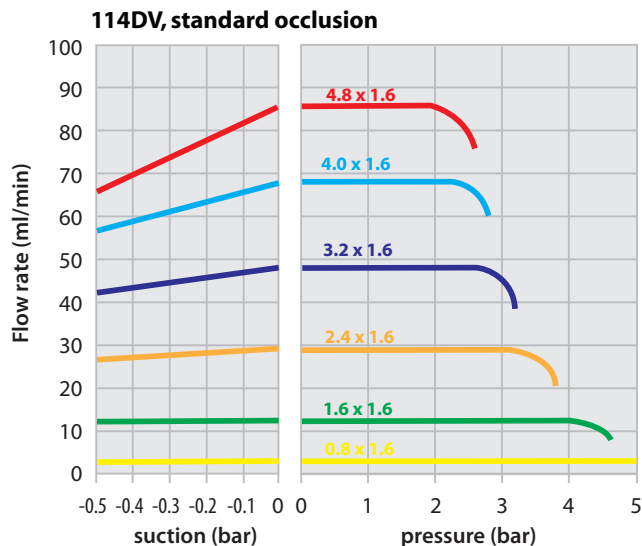
Custom options

Pumphead options

- No visible rotation - covered holes
- Logic off switch and rotation sensor
- Custom colors
- Logo less front
- Models for thin wall tubing
- Custom occlusion settings

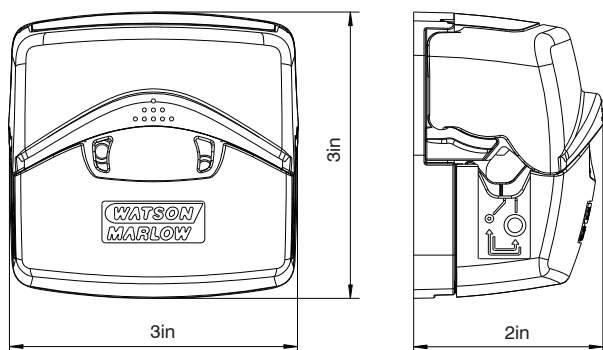
If you do not find exactly what you are looking for in this datasheet, we will make you a custom solution.

Pressure and flow performance



Flows obtained pumping water at 100rpm CCW-rotation

DIMENSIONS



SPECIFICATIONS

Pump type	Single channel peristaltic pumphead
Tubing	1.6mm wall, continuous tubing
Operating Torque	<250mNm
Operating temperature	-10 to +45°C Please consider the tubing temperature range. Refer to www.wmpg.com
Weight	3.5oz/0.2lb
Max speed	400rpm continuous, 600 rpm intermittent

114DV standard pumphead	Optimized for tube life
114DVP +pressure pumphead	Optimized for pressure performance

MATERIALS OF CONSTRUCTION

Component	Material
Housing	IXEF PEI, Grilamid PA12
Rotor	IXEF PEI
Rollers	PTFE filled PBT
Bearings	Stainless steel ball bearings
Shafts	Stainless steel
Springs	Stainless steel

ORDER INFORMATION

Product codes	
Description	Partcode
114DV standard pumphead	013.5000.00A
114DVP +pressure pumphead	013.5000.00A

Tube ordering codes for 114DV and 114DVP pumpheads					
Bore/wall	Pumpsil	Marpene	Bioprene	STA-PURE® PFL	PVC*
0.5/1.6mm	913.A005.016	902.0005.016	903.0005.016		
0.8/1.6mm	913.A008.016	902.0008.016	903.0008.016		
1.6/1.6mm	913.A016.016	902.0016.016	903.0016.016	965.0016.016	950.0016.016
2.4/1.6mm	913.A024.016	902.0024.016	903.0024.016		
3.2/1.6mm	913.A032.016	902.0032.016	903.0032.016	965.0032.016	950.0032.016
4.0/1.6mm			903.0040.016		950.0040.016
4.8/1.6mm	913.A048.016	902.0048.016	903.0048.016	965.0048.016	950.0048.016
Bore/wall	Neoprene*	STA-PURE® PCS	Fluorel*		
0.5/1.6mm					
0.8/1.6mm	920.0008.016				
1.6/1.6mm	920.0016.016	960.0016.016	970.0016.016		
2.4/1.6mm					
3.2/1.6mm	920.0032.016	960.0032.016	970.0032.016		
4.0/1.6mm					
4.8/1.6mm	920.0048.016	960.0048.016	970.0048.016		

*recommended for 114DVP +pressure pumphead only

All flow rates shown were obtained pumping water at 20C (68F) with zero suction and delivery heads. Watson-Marlow, Bioprene and Marprene are trademarks of Watson-Marlow Limited. Disclaimer: The information contained in this document is believed to be correct but Watson-Marlow Limited accepts no liability for any errors it contains, and reserves the right to alter specifications without notice. LoadSure is a trademark of Watson-Marlow Limited.
 © STA-PURE PFL and © STA-PURE PCS are registered trademarks of W.L. Gore & Associates Inc.
 Please state the product code when ordering pumps and tubing.

**WATSON
MARLOW**
Alitea

Watson-Marlow Pumps Group
 37 Upton Technology Park, Wilmington, MA 01887-1018
 Tel: 800-282-8823, 978-658-6168 Fax: 978-658-0041
www.wmpg.com support@wmpg.us

Watson-Marlow...Innovation in Full Flow