

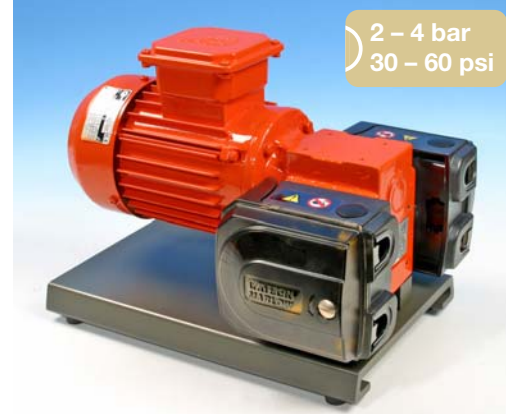
521FD fixed speed, 521VD variable speed, or 521PD pneumatic speed 30-60psi duplex pumps with 520REMC LoadSure® element pumphead

500 series

Watson-Marlow Bredel

FEATURES

- Flow rates up to 57gph (3600 ml/min) at 60psi (4 bar) peak pressure with 520 LoadSure® elements
- 520REMC pumphead features PPS (polyphenylene sulphide) track and rotor with stainless steel occlusion rollers to resist chemical attack and abrasive wear
- Heavy duty pumphead construction with impact proof safeguard
- Sprung rotor gently compresses tubing using large low friction rollers with sealed bearings, guaranteeing long tube life and accurate metering
- Fast and simple pumphead set-up using a clutched rotor for effortless element loading



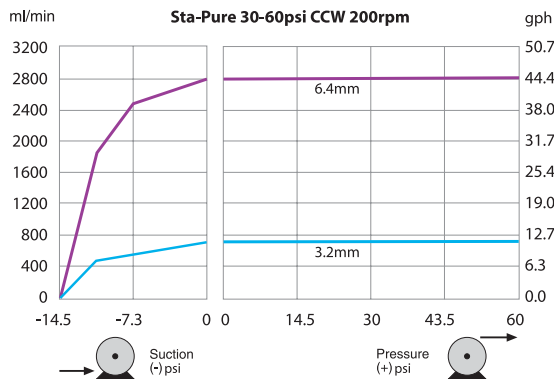
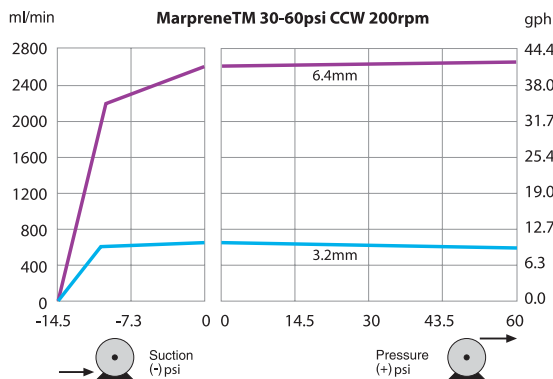
FUNCTIONALITY

	521FD	521VD	521PD
Industry approved motors with 2 standard gearing speeds	•	•	•
Supplied with free standing variable frequency drive (VFD)		•	
Speed start/stop forward/reverse keypad control with remote control features		•	
Speed control ratio		10:1	5:1
VFD input power 230/3/60, 460/3/60, 115/1/60 in either NEMA 1 or NEMA 4X		•	
Standard integral gearmotor 3 phase 230/460V 60Hz TEFC	•	•	
Optional 115/1/60	•		
Optional gearbox and NEMA C motor	•	•	
Optional explosion proof (XP) motor	•	•*	
Four vane pneumatic motor with speed limiting			•
Optional FDA approved white epoxy paint	•	•	•
Optional baseplate mounting	•	•	•

*VFD must be mounted outside XP area

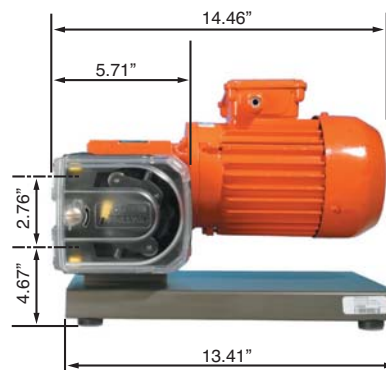
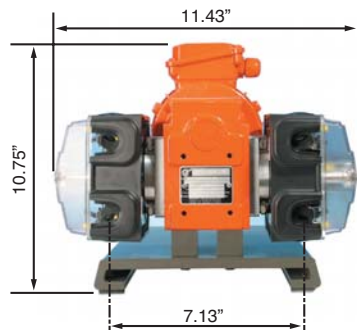
PERFORMANCE

LoadSure® Element tubing flow rates, ml/min(gph)			
Tube Material	Speed	3.2mm	6.4mm
Sta-Pure, Chem-Sure	7-65rpm	20-230(0.3-3.6)	85-915(1.3-15)
	25-247rpm	90-865(1.4-13.7)	360-3600(5.7-57)
Marprene TM, Bioprene TM	7-65rpm	20-230(0.3-0.3)	80-870(1.3-14)
	25-247rpm	84-840(1.3-13.3)	335-3360(5.3-53)



To achieve 60psi pressure the pump must rotate counter-clockwise

DRAWINGS



Length may vary if
C-faced motor used

SPECIFICATIONS

	521FD
Ingress rating	IP55
Temperature	40F to 104F
Pump weight	26lb 7oz
Control ratio	10:1
Noise	< 70dB(A) at 1m
Standard	CE, EN60529
Supply	230/460V 3ph 60Hz
Power	1/3HP

MATERIALS OF CONSTRUCTION

Component	Material
Motor	Cast aluminum alloy
Gearbox	Cast iron
Pumphead track	PPS (polyphenylene sulphide)
Guard - inner/outer	Polycarbonate
Guard seal	Neoprene
Rotor hub	Stainless steel 316
Roller arms, rotor cover	PPS (polyphenylene sulphide)
Rollers – main/guide	Stainless steel
Main roller bearings	Stainless steel
Drain port	PP (polypropylene)
Drain plug	Hytrell

ORDER INFORMATION

Pump and pumphead product codes

Description	Partcode	Description	Partcode
Pump product codes not available		520REMC pumphead	053.1031.EM0
		Leak detector	059.8111.000

Element product codes

	Industrial LoadSure® elements		Sanitary LoadSure® elements	
	Quick-release PVDF connectors		³ / ₄ in Sanitary PVDF connectors	
	3.2mm	6.4mm	3.2mm	6.4mm
Marpene TM	902.P032.PFQ	902.P064.PFQ		
Chem-Sure	965.M032.PFQ	965.M064.PFQ	965.M032.PFT	965.M064.PFT
Bioprene TM			903.P032.PFT	903.P064.PFT
Sta-Pure			960.M032.PFT	960.M064.PFT

All flow rates shown were obtained pumping water at 68F with zero suction and delivery heads. Watson-Marlow, Bioprene and Marprene are trademarks of Watson-Marlow Limited. Disclaimer: The information contained in this document is believed to be correct but Watson-Marlow Limited accepts no liability for any errors it contains, and reserves the right to alter specifications without notice. LoadSure is a trademark of Watson-Marlow Limited. ® Chem-Sure and ® STA-PURE are registered trademarks of W.L Gore & Associates Inc. Pumpsil is a trademark of Watson-Marlow Limited. Please state the product code when ordering pumps and tubing.



Watson-Marlow-Bredel Pumps
37 Upton Technology Park
Wilmington, MA 01887
Tel: 800 282 8823 Fax: 978 658 0041
www.watson-marlow.com support@watson-marlow.com